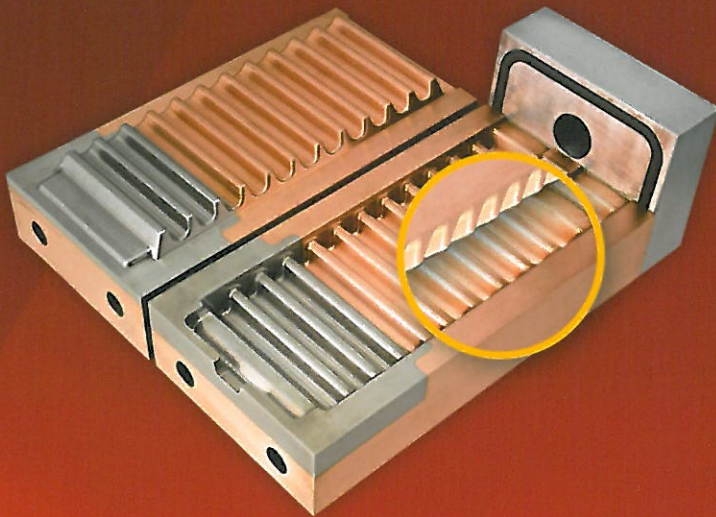


OptiVent®

- ▷ MAXIMUM VENTING EFFICIENCY UNTIL END OF CAVITY FILLING
- ▷ MINIMUM MAINTENANCE REQUIRED
- ▷ RELIABLE IN OPERATION
- ▷ REDUCED SCRAP AND INCREASED PRODUCTIVITY



The newly developed design with increased cooling surface combined with a material having high thermal conductivity and a wear and temperature resistant insert allows a larger venting profile and at the same time guarantees solidification of the aluminium or magnesium. The venting clearance is 1,3 mm constantly.

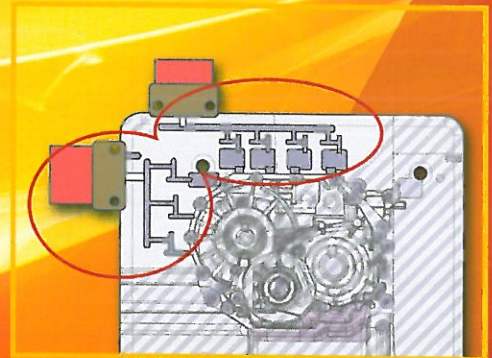
TYPE	DIMENSIONS				NET PART WEIGHT		DCM
	Pressure enforced venting	Vacuum application	Width	Length	Height	Mg	Al
OV S100	OV V100	100 mm	232 mm	50 mm/50 mm	0,3 - 2,5 kg	0,5 - 4,0 kg	400 - 1000 t
OV S120	OV V120	120 mm	232 mm	50 mm/50 mm	1,2 - 3,8 kg	2,0 - 6,0 kg	400 - 1400 t
OV S130	OV V130	130 mm	232 mm	50 mm/50 mm	1,9 - 4,4 kg	3,0 - 7,0 kg	800 - 1750 t
OV S140	OV V140	140 mm	232 mm	50 mm/50 mm	2,5 - 5,0 kg	4,0 - 8,0 kg	800 - 2000 t
OV S150	OV V150	150 mm	232 mm	50 mm/50 mm	3,8 - 7,5 kg	6,0 - 12,0 kg	1600 - 4100 t

SPECIAL MODELS ON REQUEST

Please contact InterGuss Gießereiprodukte GmbH for advice on selecting the appropriate model to meet specific requirements.

OUR SERVICE

Computer assisted design of the venting system for the die.
Technical support and training.



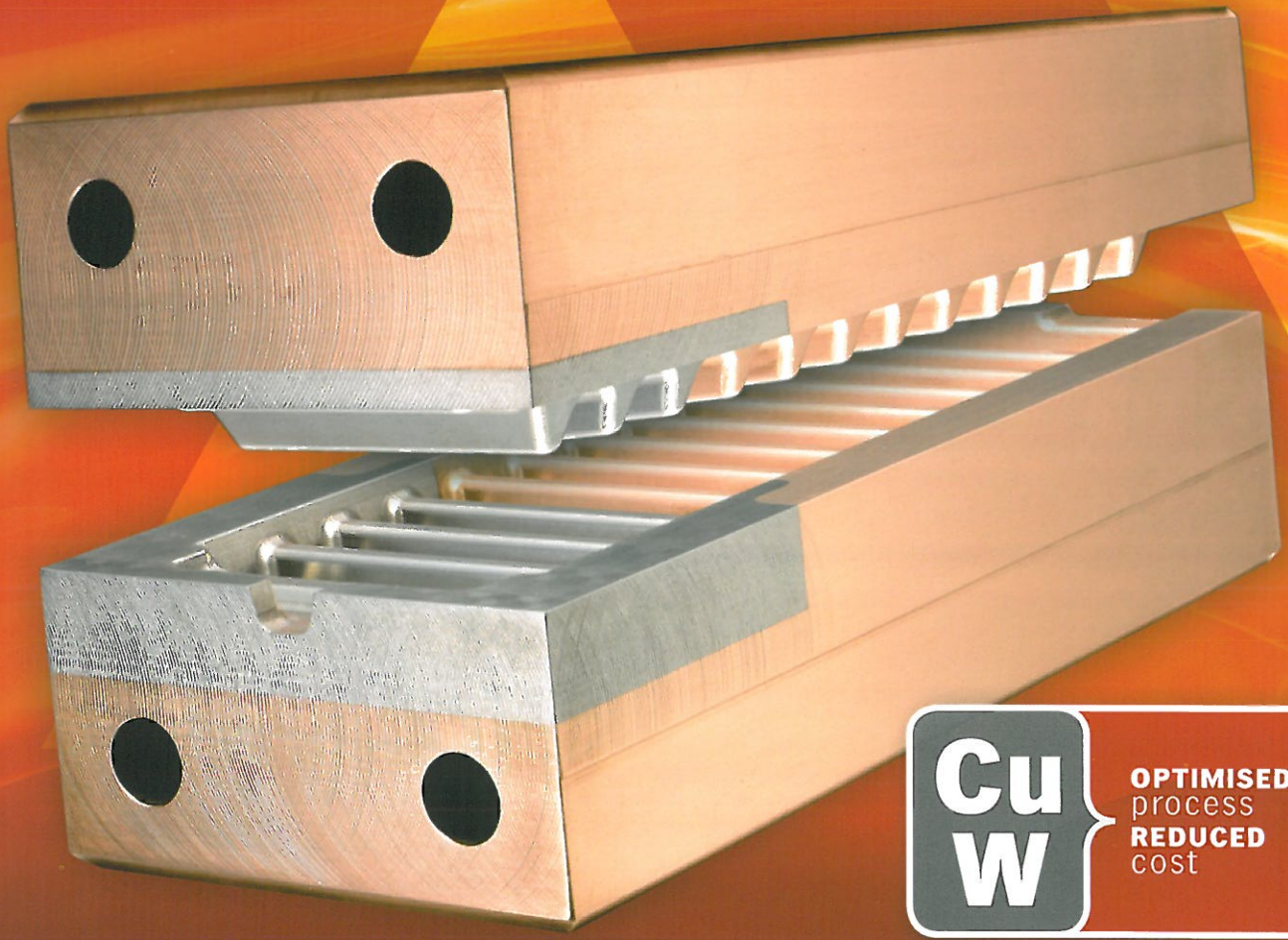
InterGuss
Gießereiprodukte GmbH

Fallmeisterweg 5 · D-91438 Bad Windsheim · Germany
T. +49 (0) 98 41 / 65 03 75 · F. +49 (0) 98 41 / 65 03 81
mail: info@topvent.net · www.topvent.net

Innoventiv

THE SOLUTION FOR DIE VENTING

OptiVent®



Cu
W

OPTIMISED
process
REDUCED
cost